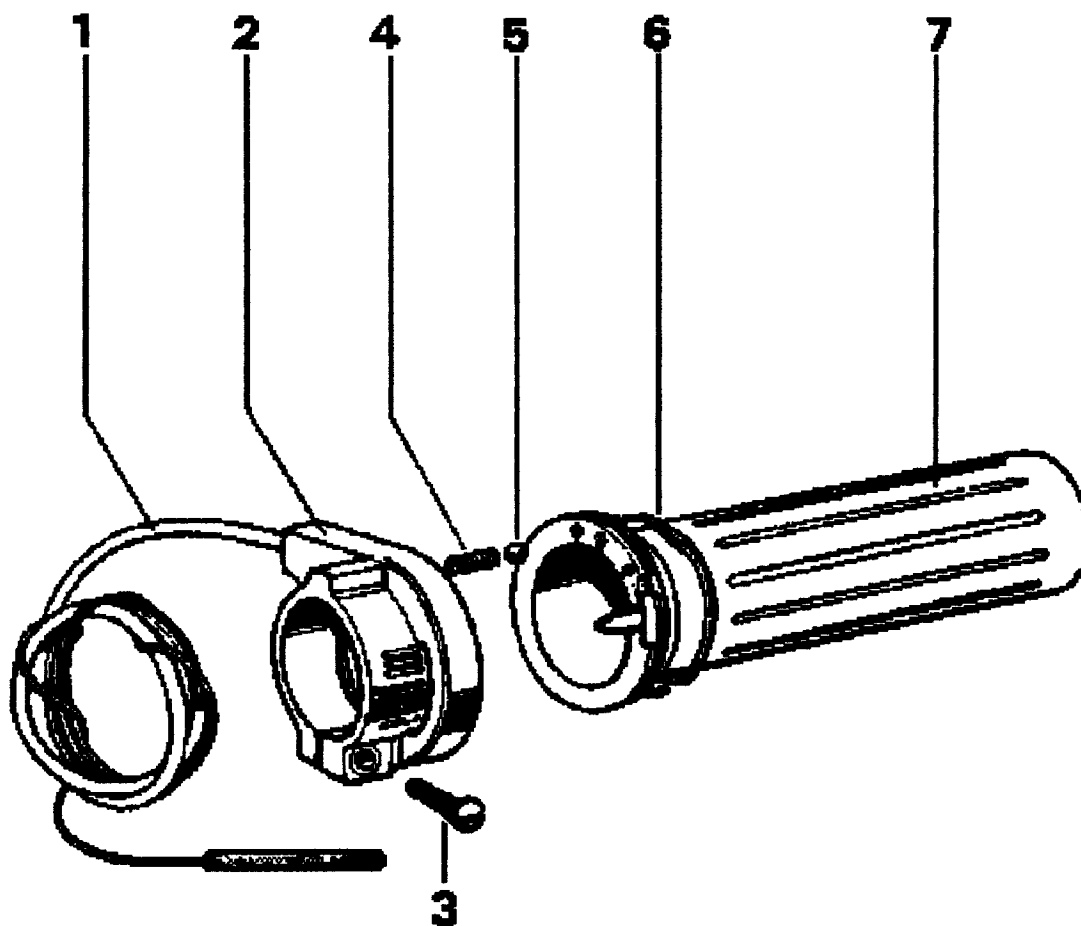


TWIST-GRIP CONTROL



3-SPEED TWIST-GRIP CONTROL		
1	<ul style="list-style-type: none"> HSJ535 HSJ530 HSJ551 	<ul style="list-style-type: none"> Twistgrip Control complete with Spare Grip Twistgrip control cable for Top Tube Fitting Fulcrum (State length and colour) Twistgrip Control Cable for Chainstay Fitting Fulcrum (State length and colour)
2	HSJ531	Collar
3	HMB103	Bolt for Collar
4	HSJ532	Detent Spring
5	HML101	Detent Ball, $\frac{1}{8}$ " diam.
6	HSJ533	Spring Ring
7	HSJ534	Twist Grip/Detent Plate
	RNL104	Plastic Grip (L/H) White
	RNL112	Plastic Grip (R/H) White

Taken from S-A Illustrated Spare Parts List dated May 1966.